

Please read these instructions carefully and follow all instructions, guidelines, and warnings included in this product manual in order to ensure that you install, use, and maintain the product properly at all times. These instructions MUST stay with this product.

By using the product, you hereby confirm that you have read all instructions, guidelines, and warnings carefully and that you understand and agree to abide by the terms and conditions as set forth herein. You agree to use this product only for the intended purpose and application and in accordance with the instructions, guidelines, and warnings as set forth in this product manual as well as in accordance with all applicable laws and regulations. A failure to read and follow the instructions and warnings set forth herein may result in an injury to yourself and others, damage to your product or damage to other property in the vicinity. This product manual, including the instructions, guidelines, and warnings, and related documentation, may be subject to changes and updates. For up-to-date product information, please visit documents.dometic.com, dometic.com.

1 Safety instructions

WARNING! Failure to obey these warnings could result in death or serious injury.

Electrocution hazard

- Do not operate the inverter if it is visibly damaged.
- If this inverter's power cable is damaged, it must be replaced to prevent safety hazards.
- This inverter may only be repaired by qualified personnel. Improper repairs can lead to considerable hazards.
- Do not connect the 240 V~ output of the inverter to a different 240 V~ source.
- Always disconnect the power supply when working on the inverter. Note that even after the fuse triggers, parts of the inverter remain live.

Fire hazard

- When positioning the device, ensure the supply cord is not trapped or damaged.
- Do not locate multiple portable socket-outlets or portable power supplies at the rear of the device.

Health hazard

- This device can be used by children aged from 8 years and above and persons with reduced physical, sensory or mental capabilities or lack of experience and knowledge if they have been given supervision or instruction concerning use of the device in a safe way and understand the hazards involved.
- Electronic devices are not toys!
Always keep and use the inverter well out of the reach of children.
- Only operate the device when you or another person can attend to it.

CAUTION! Failure to obey these warnings could result in death or serious injury.

Electrocution hazard

- Before starting the inverter, ensure that the power supply line and the plug are dry.
- Never start the device when your hands are wet.
- Disconnect the connection cable:
 - Before cleaning and maintenance
 - After use

NOTICE! Failure to obey these warnings could result in death or serious injury.

Damage hazard

- Check that the voltage specification on the data plate corresponds to that of the energy supply.
- Never pull the plug out of the 12 VDC on-board socket by the cable.
- When using the device in a vehicle, make sure that it does not impair operation of the vehicle.
- Risk of overheating!**
Ensure that the ventilation vents are not covered.
- Do not operate the device on hot surfaces.
- Do not operate the device near flames or other heat sources (heating, direct sunlight, gas ovens etc.).
- Never immerse the device in water.
- Protect the device and the cable against heat and moisture.

2 Intended use

The inverter is intended to be connected to a 12 V on-board socket in a vehicle.

The inverter can be used to generate a 240 V~ output from a 12 VDC power source. The 240 V~ output can be used to power a 240 V~ consumer unit with a power consumption of up to 150 VA. The USB output can be used for running and charging electronic devices such as mobile phones or cameras.

This product is only suitable for the intended purpose and application in accordance with these instructions.

This manual provides information that is necessary for proper installation and/or operation of the product. Poor installation and/or improper operating or maintenance will result in unsatisfactory performance and a possible failure.

The manufacturer accepts no liability for any injury or damage to the product resulting from:

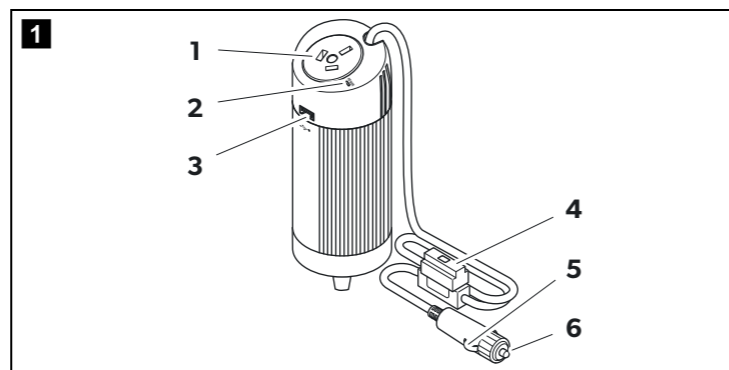
- Incorrect assembly or connection, including excess voltage
- Incorrect maintenance or use of spare parts other than original spare parts provided by the manufacturer
- Alterations to the product without express permission from the manufacturer
- Use for purposes other than those described in this manual

Dometic reserves the right to change product appearance and product specifications.

3 Technical description

The inverter is equipped with the following protective functions:

- Short circuit protection
- Reverse polarity protection
- High voltage protection, low voltage protection, overload protection
- Overtemperature protection
- Battery voltage protection



Pos. in fig. 1	Description	Pos. in fig. 1	Description
1	240 V~ output	4	Fuse holder (fuse)
2	Status LED	5	Negative contact
3	USB 5 VDC output	6	Positive contact

4 Using the inverter

The cylindrical construction of the inverter makes it convenient to use inside your vehicle. Conventional car drink holders serve as storage area for the device when it is being used.



NOTICE! Damage hazard

Due to the non sine wave voltage, some devices may heat up more than usual. The maximum constant output is 150 VA. Never connect devices that have a higher power requirement.

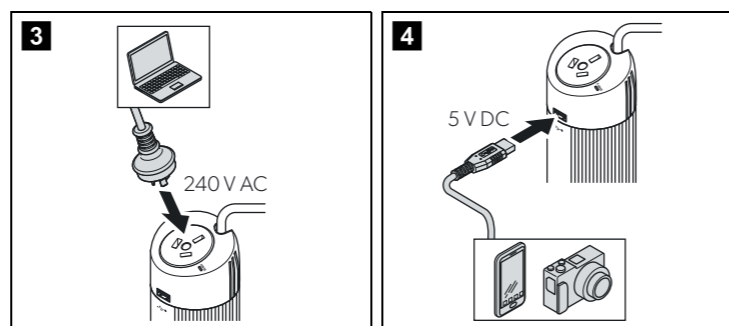
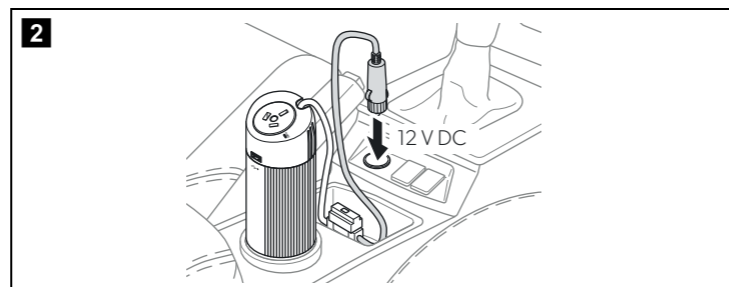
Note when connecting devices with an electrical drive (such as power drills and refrigerators), that they often require more power than indicated on the data plate.

4.1 Connecting the inverter

Observe the following notes:

- Reversing the polarity of the inverter will cause the fuse to blow in the 12 V plug. The 12 V on-board socket and the power supply must be rated to at least 15 A. Do not put in a fuse with a higher rating than 15 A.
- Make sure the plug is firmly connected in the socket. Otherwise the plug may heat up.
- If you connect the inverter to the on-board socket, remember that the ignition must be turned on to supply it with power.

- Plug in the inverter into a 12 V socket (fig. 2).
- Connect a consumer (fig. 3 and fig. 4).



4.2 Checking the function

The green status LED indicates that the inverter is working. If the battery voltage drops under 10.5 V, the device heats up excessively during operation, and the LED lights up red.

The device switches off automatically in the following cases:

- A consumer with power requirement of more than 150 VA is connected.
 - The inverter heats up to more than 50 °C
- If the Inverter overheats, pull out the connection cable from the socket.
► After it has cooled down, you can plug the inverter in again.

5 Cleaning and maintenance



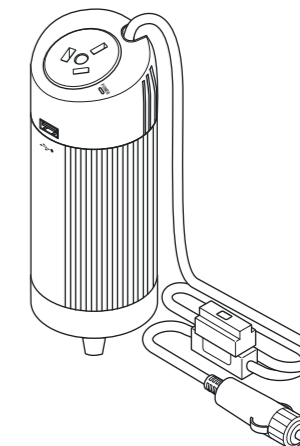
NOTICE! Damage hazard

- Never clean the inverter under running water.

► Occasionally clean the exterior of the inverter with a damp cloth.

DOMETIC

DOMETIC
POWER & CONTROL
SINEPOWER



MCI-150-12

EN Inverter
Operating manual

dometic.com

YOUR LOCAL DEALER

dometic.com/dealer

YOUR LOCAL SUPPORT

dometic.com/contact

YOUR LOCAL SALES OFFICE

dometic.com/sales-offices

A complete list of Dometic companies, which comprise the Dometic Group, can be found in the public filings of:
DOMETIC GROUP AB Hemvärnsgatan 15 SE-17154 Solna Sweden

4445103514 2021-07-15

6 Disposal

► Place the packaging material in the appropriate recycling waste bins, wherever possible.



If you wish to finally dispose of the product, ask your local recycling center or specialist dealer for details about how to do this in accordance with the applicable disposal regulations.

7 Warranty

If the product does not work as it should, please contact your retailer or the manufacturer's branch in your country (see dometic.com/dealer). The warranty applicable to your product is 1 year(s).

For repair and warranty processing, please include the following documents when you send in the device:

- A copy of the receipt with purchasing date
- A reason for the claim or description of the fault

Australia only

Our goods come with guarantees that cannot be excluded under the Australian Consumer Law. You are entitled to a replacement or refund for a major failure and for compensation for any other reasonably foreseeable loss or damage. You are also entitled to have the goods repaired or replaced if the goods fail to be of acceptable quality and the failure does not amount to a major failure.

New Zealand only

This warranty policy is subject to the conditions and guarantees which are mandatory as implied by the Consumer Guarantees Act 1993(NZ).

8 Troubleshooting

Fault	Possible cause	Suggested remedy
The device does not switch on after connection to the 12 V on-board socket (the green LED does not light up).	A fuse is defective (in the fuse holder or elsewhere in the vehicle).	Have an electrician replace the fuse with the same rating.
The LED lights up red.	The battery voltage is below 9.5 V.	Charge the vehicle battery by starting the engine.
The LED lights up alternately red and green.	When under a load, there is a poor contact in the 12 V on-board socket. The device has overheated.	Clean the contacts. Pull the device out of the 12 V on-board socket, and allow it to cool down before you switch it on again.

Fault	Possible cause	Suggested remedy
The inverter switches off when the consumer is switched on.	The starting current of the consumer unit is too high.	Compare the power of the consumer with the maximum power of the inverter.

9 Technical data

	MCI-150-12
Rated input voltage:	12 VDC
Input voltage range:	10 V to 15 VDC
Full load current power:	13.75 A
Constant output power:	150 VA
Peak output power:	250 VA
Output voltage:	240 V~ / 50 Hz
USB output:	5 VDC, 500 mA max.
Idle current consumption:	0.25 A
Low voltage shutdown:	10 V +/- 5 V
Maximum ambient temperature:	50 °C +/- 5 °C
Fuse:	15 A
Dimensions:	Ø 66 mm x 182 mm
Weight:	530 g
Certification:	AS/NZS 4763