

HYGIENE & SANITATION

TW SERIES DISCHARGE PUMPS

For premium tank discharge performance, Dometic TW Series pumps provide unsurpassed quality and reliability. Unlike impeller-type macerator pumps, the bellows-style TW pump can run dry without threat of damage, and draws only 6 amps at 12 V DC.

In waters where overboard discharge of a waste holding tank is permitted, the TW pump integrates with Dometic Tank Discharge (DTD) control systems* for completely automated holding tank discharge.

*Purchased separately

FAST DISCHARGE
300 GPH/1,136 LPH

PROTECTION
RUNS DRY WITHOUT DAMAGE

EASY TO USE
SELF PRIMING



12/24 V DC

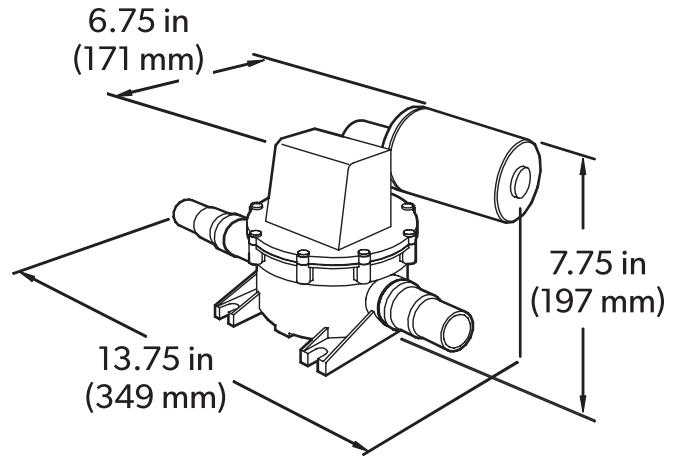
Mobile living made easy.

 **DOMETIC** **OUTDOOR**

RELIABLE WASTE TANK DISCHARGE PUMP

Key Benefits

- Produces 300 gph/1136 lph flow rate
- Runs dry without harm (prevents motor burn-up)
- Self-priming to 10 feet/3.3 m of water
- Integrates with Dometic Tank Discharge (DTD) control systems
- Draws only 6 amps at 12V DC



Model	317301200	317302400
Description	12 V DC TW series discharge pump	24 V DC TW series discharge pump
Weight (lbs/kg)	7/3.2	
Power Draw (avg.)	6 amps @ 12 V DC; 3 amps @ 24 V DC	
Circuit Breaker/Fuse*	10 amps @ 12 V DC; 5 amps @ 24 V DC	
Plumbing ID	1.5 in./38 mm sanitation hose or PVC pipe	

* Requires separate circuit breaker for fuse from other electrical equipment. Specifications subject to change without notice

Discharge & Suction Lifts - Ft (m)						
Discharge	0	2 (0.6)	4 (1.2)	6 (1.8)	8 (2.4)	10 (3)
Suction Lift	10 (3)	8 (2.4)	6 (1.8)	4 (1.2)	2 (0.6)	0